

Purventus UV exhaust air cleaning systems

www.purventus.de

The innovative exhaust air filter systems with UV technology clean kitchen exhaust air extremely effectively, reduce unpleasant odours, extend the cleaning intervals and significantly reduce the fire load.



Benefits at a glance

- Available as an add-on system for system catering, as an air circulation add-on solution or duct installation system
- Can be integrated into almost any new or existing ventilation system
- Reduces deposits and odors by up to 99.9 percent
- Easy cleaning of the UV cassette thanks to the modular design
- Removable UV lamp insert with contact plug
- Simple operation with LED display
- Reduced operating costs for filters, air duct cleaning, electricity
 - For large and very large exhaust air volumes
 - Flexible sizing
 - Increased safety and cleanliness
 - Compliance with all fire protection requirements
 - Efficient, environmentally friendly and easy to use

Operation without downtime

On-site maintenance on the lamp insert is not an option for any of the models required. failure times of the system will be like this avoided. The lamp slot is replaceable, the required maintenance can be obtained from Purventus or be carried out by trained service technicians



UV technology

The artificial UV light destroys fats and vapors and releases aromatic Hydrocarbon compounds in the exhaust air into carbon and water



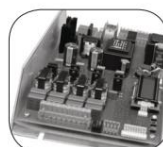
Modular construction

The modular design ensures simple Cleaning, service and maintenance work and enables problem-free expansion of devices.



Plug&Play system

The plug-in module can be used without Tool with Plug&Play completely in clean in the dishwasher



control panel

The extremely reliable system control reports faults directly on the device or (optionally) by SMS, email or call

PUR M01

UV exhaust air cleaning system add-on system for the system gastronomy



Model / Order number	PUR M01
Description	UV exhaust air filter embedded system for gastronomy
Finishing	Polished Stainless steel
Electrical connection	1N-230V/50Hz
Power watt	172
Max. ambient temperature	32°C
Humidity	20 - 80%
Air volume m3 /h	100 - 1,500
exhaust air temperature	20 - 42°C
humidity exhaust air	20 - 60%
Dimensions W x D x H mm	660x325x480
Weight net / gross kg price	45 / 50

Optional equipments

UV tubes for all UV modules

Radio remote monitoring (for exhaust air flow, UV lamps, electronic ballasts)

Front flap, mesh filter and other spare parts

PUR UM01

UV exhaust air cleaning system
Circulation integrated solution in combination with a PUR M01



Model / Order number	PUR UM01
Description	Combined air circulation solution with the M01 module
Finishing	Polished Stainless steel
Electrical connection	1N ~230V 50Hz
Power watt	172
Max. ambient temperature	32°C
Humidity	20 - 80%
Air volume m3 /h	100 - 1,500
Exhaust air temperature	20 - 42°C
Humidity of exhaust air	20 - 60%
Dimensions W x D x H mm	658x378x1183
Weight kg	PUR UM01: 40 PUR M01: 45

Optional equipments

UVtubeforallUV modules

moisture separator

activated carbon filter

Radio remote monitoring (for exhaust air flow, UV lamps, electronic ballasts)

Front flap, locks, mesh filters and other spare parts

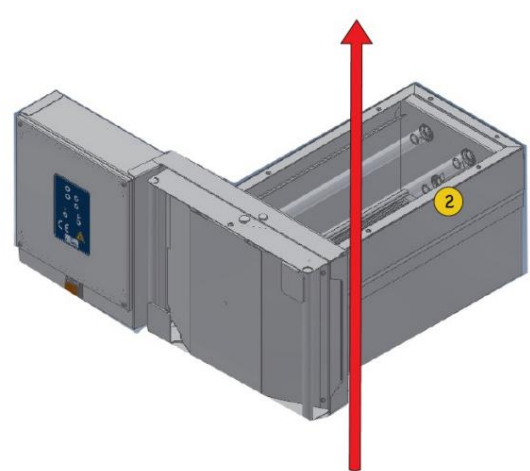
PUR K03

UV exhaust air cleaning system
duct installation system



PUR KV01

UV exhaust air cleaning system
hood installation system



Model / Order number	PUR K03	PUR KV01
description	UV exhaust air filter universal system for installation in the Air ducts / ventilation ceilings / special systems	UV exhaust air filter for installation in Exhaust hoods / special systems
execution		Stainless steel, ground
electrical connection		1N ~230V 50Hz
Power Watt		172
Max. ambient temperature		32°C
humidity		20 - 80%
Air volume m ³ /h		100 - 1,500
exhaust air temperature		20 - 42°C
humidity exhaust air		20 - 60%
Dimensions W x D x H mm	658x378x1183	440x300x400
Weight net / gross kg		40 / 30

Optional equipmenst

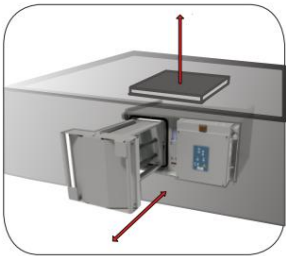
UV tubes for all UV modules

Radio remote monitoring (for exhaust air flow, UV lamps, electronic ballasts)

Front flap, mesh filter and other spare parts

PURE AH

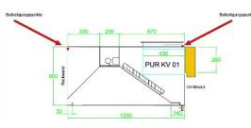
Exhaust hood (special design) to accommodate the UV exhaust air purification system PUR KV01



Top view



side view



Model / Order number	PUR KV01	Exhaust hood (example for 3,000 cbm/h)
Description		Exhaust hood prepared for UV modules (type PUR KV01)
Design		Box hood with one or two rows of filters
Lighting		LEDs
Aerosol separator (flame protection filter)		Filter class A (duplex eddy current separator; optionally also combination filter)
Max. ambient temperature		32°C
Humidity		20 - 80%
Air volume m ³ /h		1500 (1 x PUR KV01) to 6000 (4 x PUR KV01)
exhaust air temperature		20 - 42°C
humidity exhaust air		20 - 60%
Dimensions W x D x H mm		_____ any x _____ any x 600
degree of separation		up to 98%

Optional equipments

UV module PUR KV01 (without duct part for 1,500 cbm/h)

Radio remote monitoring (for exhaust air flow, UV lamps, electronic ballasts)

Aerosol separator, FK A, combination filter

otherwise. spare parts