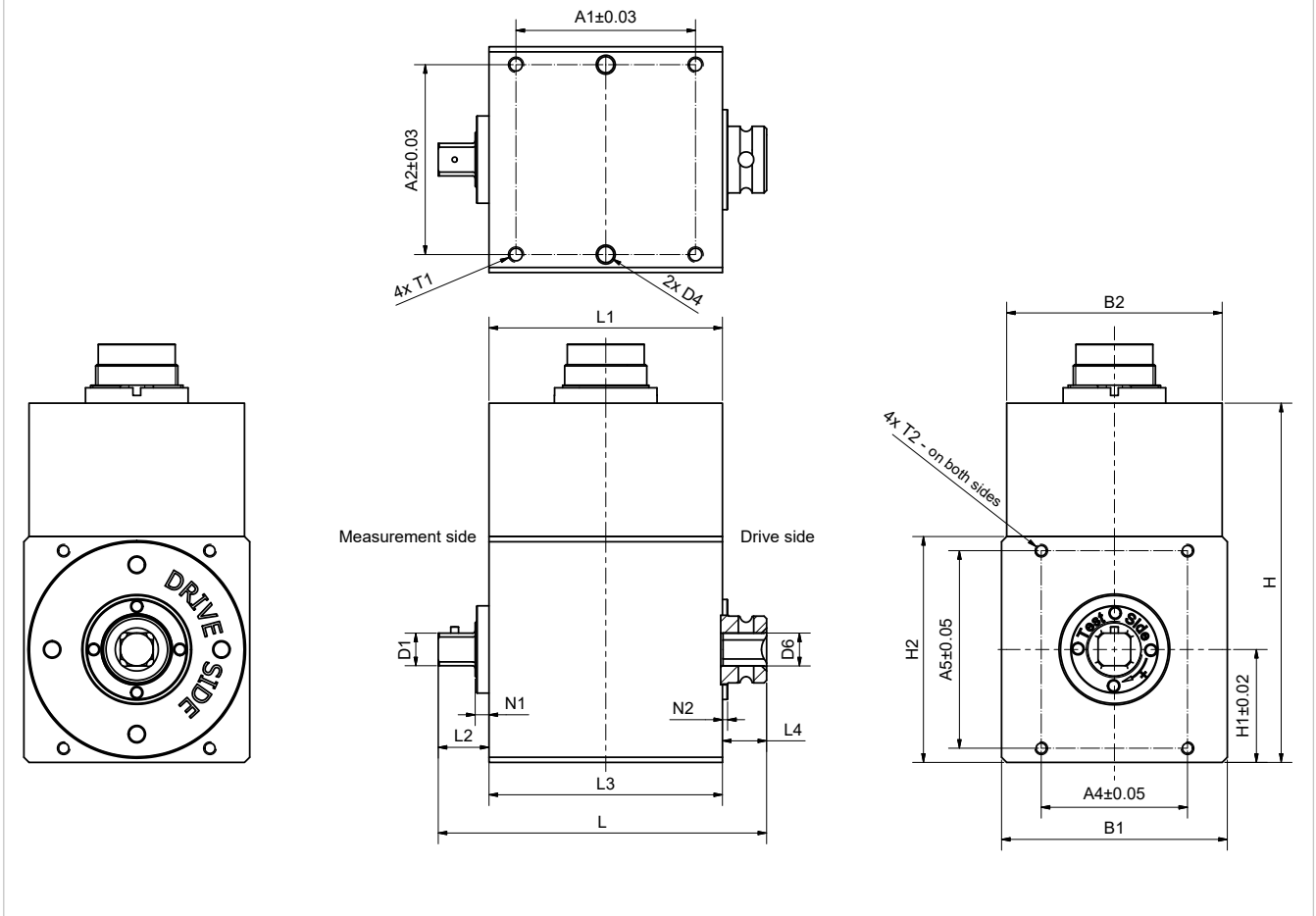


Dimensional drawing



For detailed dimensions you can find sensor CAD data on our website www.burster.com.

8655	-	5001	5002	5005	5012	5025	5050	5063	5100	5160	
Measuring range from 0 ...		±1 N·m	±2 N·m	±5 N·m	±12 N·m	±25 N·m	±50 N·m	±63 N·m	±100 N·m	±160 N·m	
Geometry											
A1	[mm]	35								33.5	
A2	[mm]	37						36		41	
A4	[mm]	28.5						44		50	
A5	[mm]	38.5						41		48	
B1	[mm]	44						50		59	
B2	[mm]	42									
D1	[mm]	¼" external square DIN 3121 form E						⅜" external square DIN 3121 form E		½" external square DIN 3121 form E	
D6 / deep	[mm]	¼" internal square DIN 3121 form H, 8 mm						⅜" internal square DIN 3121 form H, 12.2 mm		½" internal square DIN 3121 form H, 16.5 mm	
D4 Ø / deep	[mm]	Ø 3.1 / 6									
H1	[mm]	22						25		29.5	
H2	[mm]	44						50		59	
L	[mm]	64						71.10		89.4	
L2	[mm]	9.9						13.5		17.90	
L3	[mm]	45.5						47.5			
L4	[mm]	8.6						10.1		24	
T1 / deep	[mm]	M3 / 7						M4 / 7			
T2 / deep	[mm]	M2.5 / 8						M3 / 8		M4 / 8	

